

Finalmente Sink + Induction + teppan



Freestanding

Code: 7555 002



DETAILS

Type Sink + Induction cooking + Teppan

Material Stainless steel AISI 316 L with alveolar aluminum support

Texture Brushed in line

Dimensions (open) 327 x 78 x (h)178 cm

Dimensions (closed) 185 x 78 x (h)115 cm

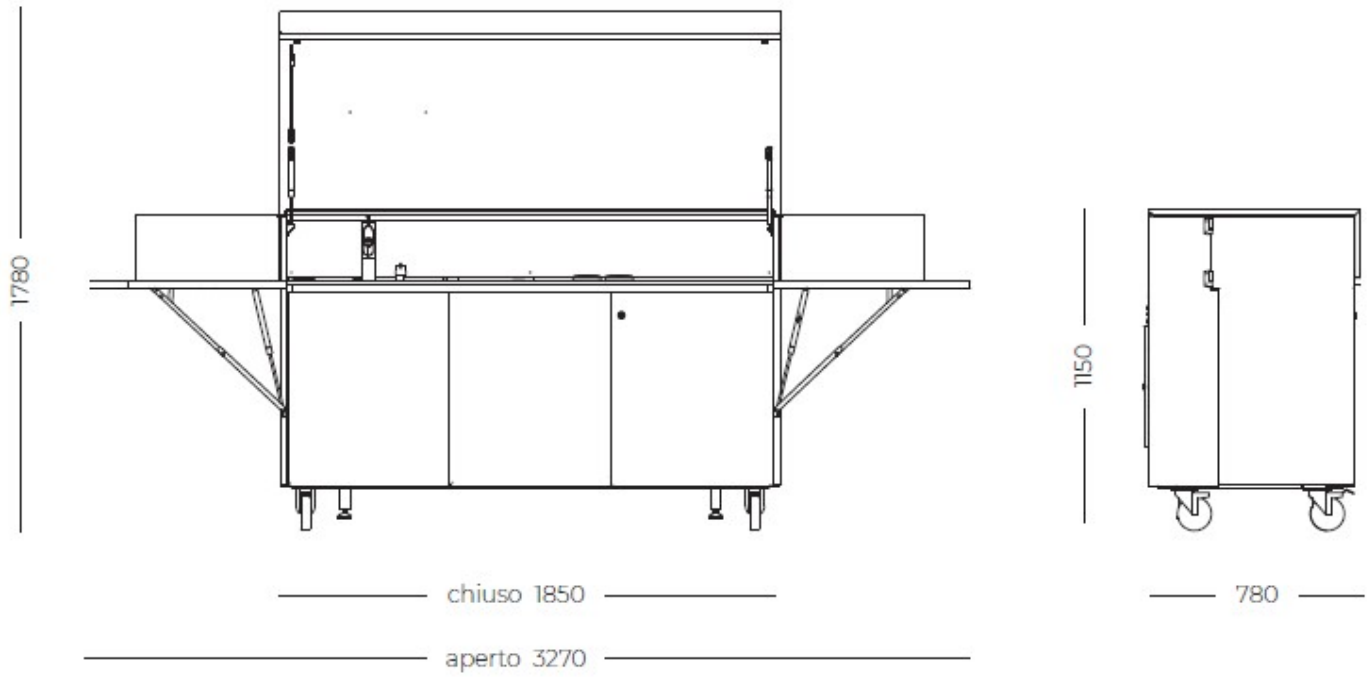
Weight 295 Kg

Wheels Yes

Foster integrated products
1011 050 - Milano sink welded 462 x 400 mm
8459 000 - F2000 mixer with removable spout
8530 000 - Round dispenser
7322 240 - S4000 induction hob 2 zones-230V 50/60 Hz
7325 455 - Teppan S4000 plate 2 zones

Integrated equipped channel	Cup holder and plate holder 2 round containers of different depths Retractable socket holder (230V 16A IP66)
Framework	Lid with anti-closing locking system 2 opening side shelves 4 wheels (2 with locking system) 2 adjustable feet for laying on the ground
Rear features	Electrical panel IP66 32A Wall-mounted single-phase plug 230V 32A IP66 Hot and cold water connection
Front door equipment	60l undercounter refrigerator (class C) Compartment with shelf in HPL / stainless steel Pull-out drawer with differentiated story with 4 compartments
Accessories supplied	Waterproof PVC sheet (650 g / m2)
Lighting	3 LED lights (normal with twilight / motion sensor) with rechargeable battery and USB connector

TECHNICAL DATA



GALLERY

